



**MCWANE**  
PLANT & INDUSTRIAL

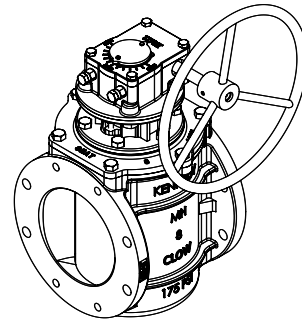
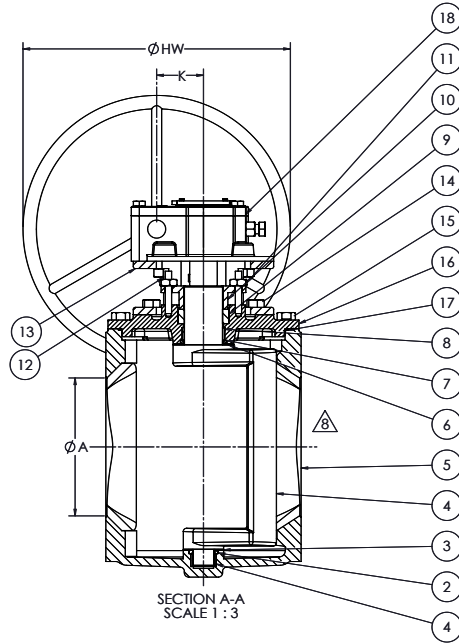
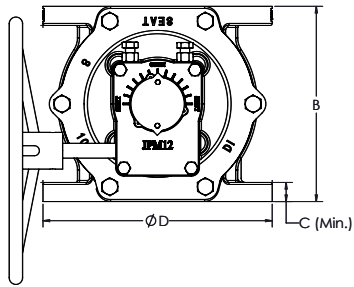


KENNEDY VALVE

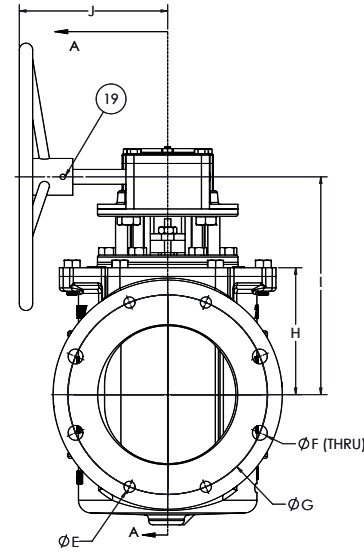
# 100% FULL FLOW ECCENTRIC PLUG VALVE WITH FLANGED ENDS AND GEAR - HW SIZES 3" - 16"

DRAWING NO.- SUB910399T REV - 8

DRAWN BY - J CAPPER



8 INCH SHOWN



SIZE RANGE	WATER WORKING PRESSURE PSI	HYDROSTATIC TEST PSI
3-12	175 PSI	262.5 PSI
14-16	150 PSI	225 PSI

ITEM	PART NAME	ASTM DESIGNATION	QTY
1	Lower Sleeve Bearing	Sintered Alloy SS316	1
2	Lower Grit Seal	NBR	1
3	Lower Thrust Washer	PTFE	1
4	Plug	ASTM A536 65-45-12 OR 70-50-05 +NBR	1
5	Body	ASTM A536 65-45-12 OR 70-50-05	1
6	Upper Thrust Washer	PTFE	1
7	Upper Grit Seal	NBR	1
8	Upper Sleeve Bearing	Sintered Alloy SS316	1
9	V-Packing	NBR	1
10	Follower Gland	ASTM A536 65-45-12 OR 70-50-05	1
11	Hex Nuts	Stainless Steel ASTM A276.T316	2
12	Studs	Stainless Steel ASTM A276.T316	2
13	Adapter	ASTM A536 65-45-12 OR 70-50-05	1
14	Adapter Bolts	Stainless Steel ASTM A276.T316	6
15	Cover Bolts	Stainless Steel ASTM A276.T316	4
16	Cover	ASTM A536 65-45-12 OR 70-50-05	1
17	Cover O-ring	NBR	1
18	JPM Gear w/ HW	-----	1
19	Slot Type Spring Pin	ASTM A29 1566	1

DIMENSIONS															
A	B	C	D	E	F	G	H	I	J	K	Weight (lbs.)	JPM Gear	Gear Ratio	No. Turns to Open (Approx.)	Ø HW (in.)
3	8.00	.75	7.50	4 x 5/8-11 I .79	---	6.00	3.76	7.50	8.8	2.8	75 lbs.	JPM12A	40	10	8
4	9.00	.94	9.00	4 x 5/8-11 I .79	4 x .75	7.50	4.63	8.28	8.8	2.8	100 lbs.	JPM12A	40	10	8
6	10.50	1.02	11.00	4 x 3/4-10 I .79	4 x .81	9.50	5.78	10.30	8.8	2.8	165 lbs.	JPM12FA	40	10	12
8	11.50	1.13	13.50	4 x 3/4-10 I .79	4 x .88	11.75	7.48	12.54	8.8	2.8	230 lbs.	JPM12FA	40	10	16
10	13.00	1.19	16.00	8 x 7/8-9 I .79	4 x 1.00	14.25	8.88	14.02	11.3	3.9	340 lbs.	JPM14A	53	13	20
12	14.00	1.26	19.00	8 x 7/8-9 I .79	4 x 1.00	17.00	11.00	16.38	12.1	3.9	480 lbs.	JPM14A	53	13	24
14	17.00	1.38	21.00	8 x 1-8 UNS I 1.54	4 x 1.13	18.75	12.88	18.00	14.9	4.9	720 lbs.	JPM15A	68	17	30
16	17.17	1.44	23.50	8 x 1-8 UNS I 1.06	8 x 1.13	21.25	14.69	22.50	14.9	4.9	850 lbs.	JPM15A	68	17	30

**NOTE:**

1. Body castings are tri-marked with "Clow", "Kennedy", and "M&H".
2. For services with 3"-8" Plug Valves in excess of 25 PSI, use of a gear is recommended.
3. Gear model and brand are subject to change without notice.