

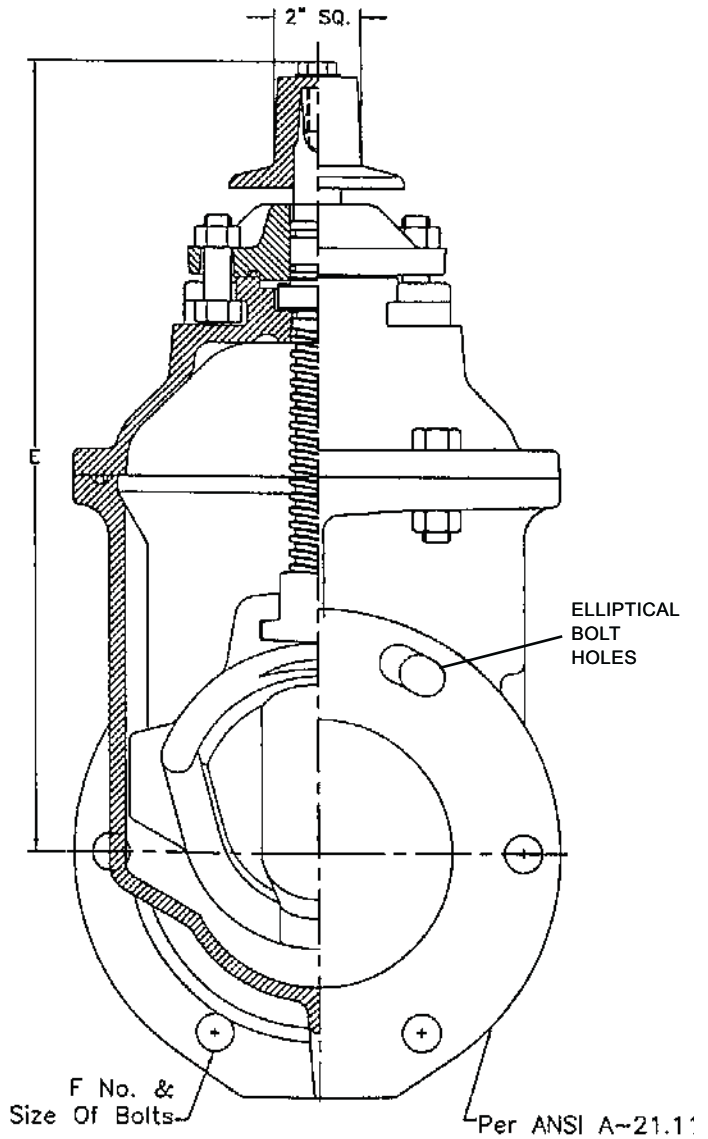
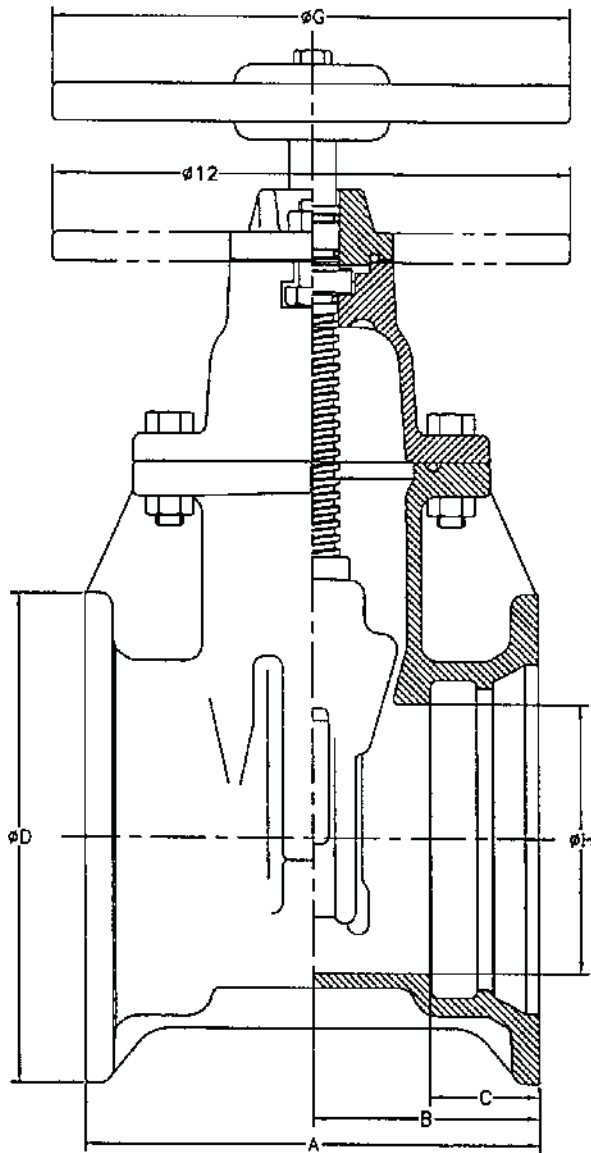


2"-12" R/S VALVE MECHANICAL JOINT ENDS GENERAL DIMENSIONS

KENNEDY VALVE MODEL KS-FW

Complies with applicable requirements of AWWA C509

8571SS STANDARD
8071SS W/POST PLATE (3-12")



ELLIPTICAL BOLT HOLE DESIGN ELIMINATES THE NEED FOR ANTI-ROTATIONAL BOLTS

VALVE SIZE	A	B	C	D	E	F	G	H	WEIGHT*
2	8 1/4	4 1/8	2 1/2	4 1/2	10 7/8	4 5/8	7 1/4	2	36
2 1/2	—	—	—	—	—	—	—	—	—
3	8 1/2	4 1/4	2 1/2	7 3/4	12 3/8	4 5/8	10	3	59
4	9 1/2	4 3/4	2 1/2	9 1/8	14 3/4	4 3/4	10	4 1/4	86
6	10 1/2	5 1/2	2 1/2	11 3/8	19	6 3/4	12	6 1/4	134
8	13 1/8	6 9/16	2 1/2	13 3/4	22 1/2	6 3/4	14	8 1/4	206
10	15 1/2	7 3/4	2 1/2	15 3/4	26 1/2	8 3/4	18	10 1/4	351
12	16	8	2 5/8	18	30	8 3/4	18	12 1/4	473

*ADD 16 LBS. FOR INDICATOR POST PLATE (3"-12" only)

Updated 07/02/13