

# Stainless Steel Globe Valves

## Class 150 • OS&Y • Plug Type Disc

### Figure 310

Threaded Ends

### Figure 314

Socket Weld Ends

#### Size Range:

1/2 through 2 inches

#### Design Features:

- Bolted Bonnet
- Retained Gasket
- Rising Stem
- Integral Seat
- MSS SP-42
- ASME B16.34

#### Industry Standards

Pipe Threads	ASME B1.20.1
Wall Section	ASME B16.34
Socket Weld Ends	ASME B16.11
End-to-End	Manufacturer's Standard
Pressure-Temp. Ratings	ASME B16.34
Testing	API 598

#### Materials of Construction

1	Body	ASTM A351 CF3M
2	Bonnet	ASTM A351 CF8M
3	Disc	ASTM A351 CF8M
4	Stem	ASTM A276 T316
5	Disc Nut	ASTM A276 T316
6	Handwheel	ASTM A536
7	Gasket	PTFE
8	Gland Flange	ASTM A351 CF8
9	Gland	ASTM A276 T304
10	Packing	PTFE
11	Stem Nut	ASTM A536
12	Handwheel Nut	ASTM A194 GR 8
13	Bonnet Bolt Nut	ASTM A194 GR 8
14	Bonnet Bolt	ASTM A193 GR B8
15	Eyebolt Pin	ASTM A276 T304
16	Eyebolt	ASTM A193 GR B8
17	Eyebolt Nut	ASTM A194 GR 8
18	ID Tag	Aluminum
19	Washer	ASTM A276 T304

#### Dimensions and Weights

Valve Size	Weight (lbs)	Dimensions (inches)			
		A	B (open)	C	D*
1/2	6.6	3.74	7.1	3.9	.38
3/4	6.9	4.53	7.3	3.9	.50
1	8.7	4.92	7.9	3.9	.50
1 1/2	12.6	5.52	9.2	5.5	.50
2	17.3	6.50	10.2	6.3	.31

\* For Figure 314 only - socket weld depth

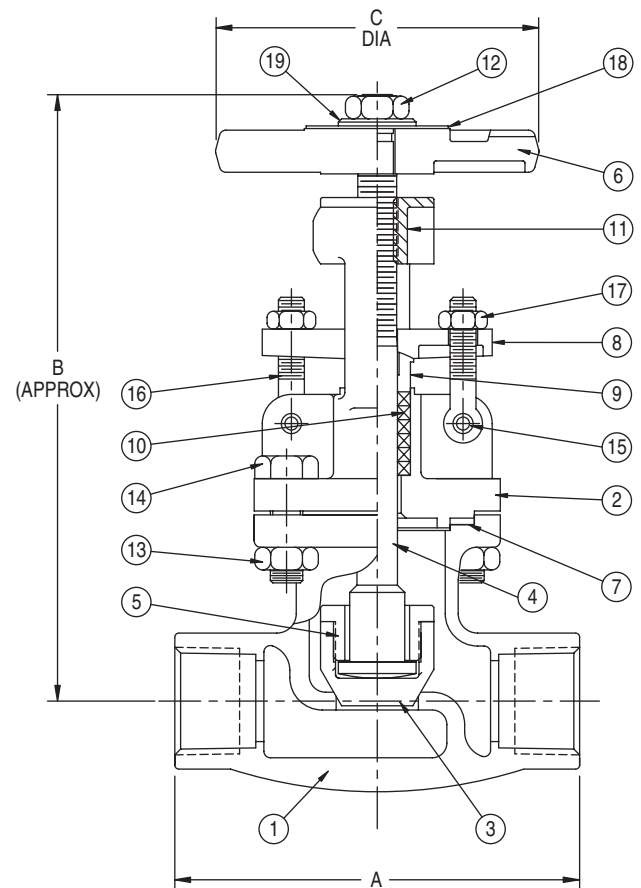


Fig. 310